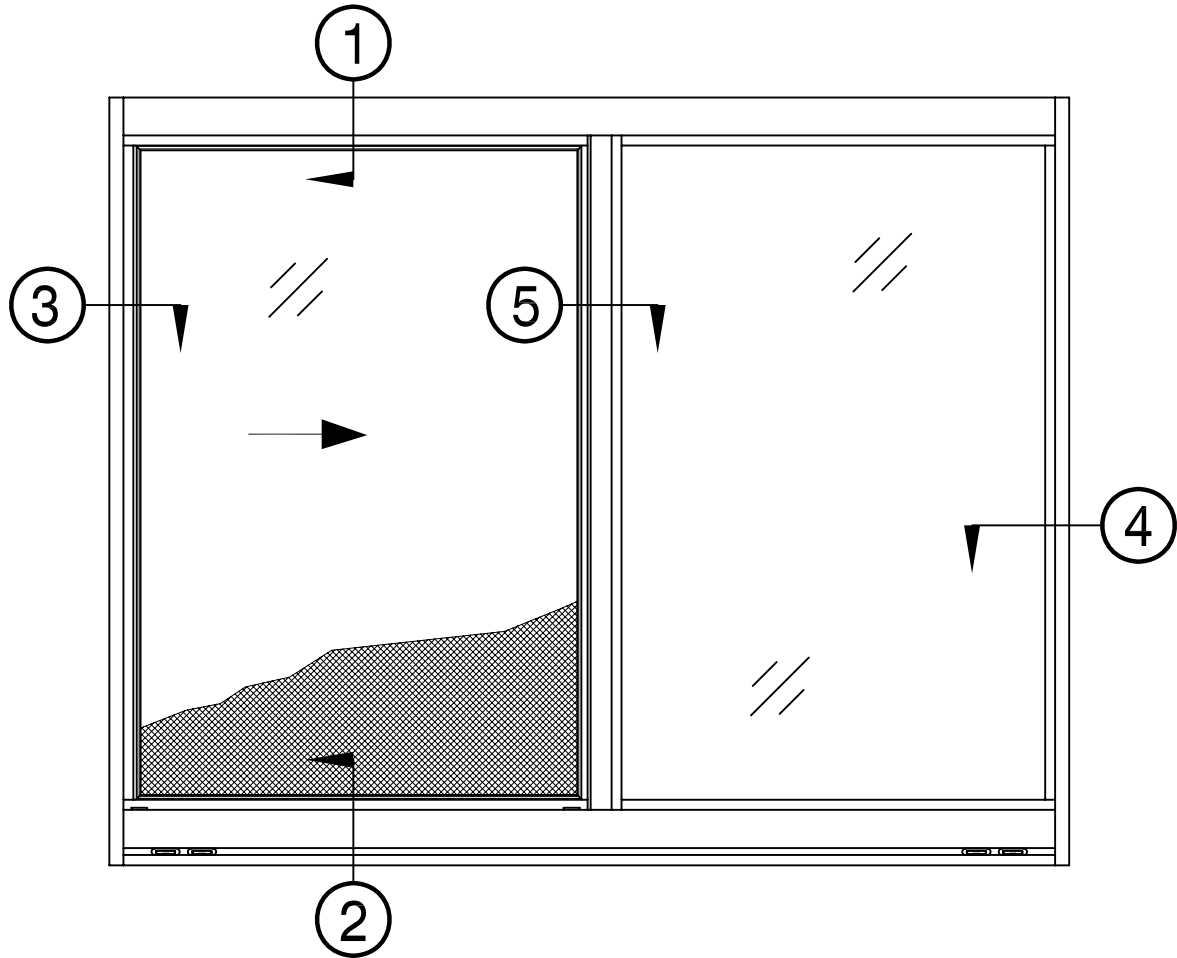


# SEAL CRAFT

Architectural Window Systems

Model 4100 HS-C60

Exterior Elevation



## Horizontal Sliding Window

Structural Test Pressure up to 90 psf

Water Infiltration Tested to 9.0 lbf/ft.<sup>2</sup>

Air Infiltration Tested to be less than 0.05 cfm/ft.<sup>2</sup>

Withstands wind velocity up to 153.1 mph at design pressure

Thermally Improved Frame & Sash

Maximum Size up to W-71" x H-60"

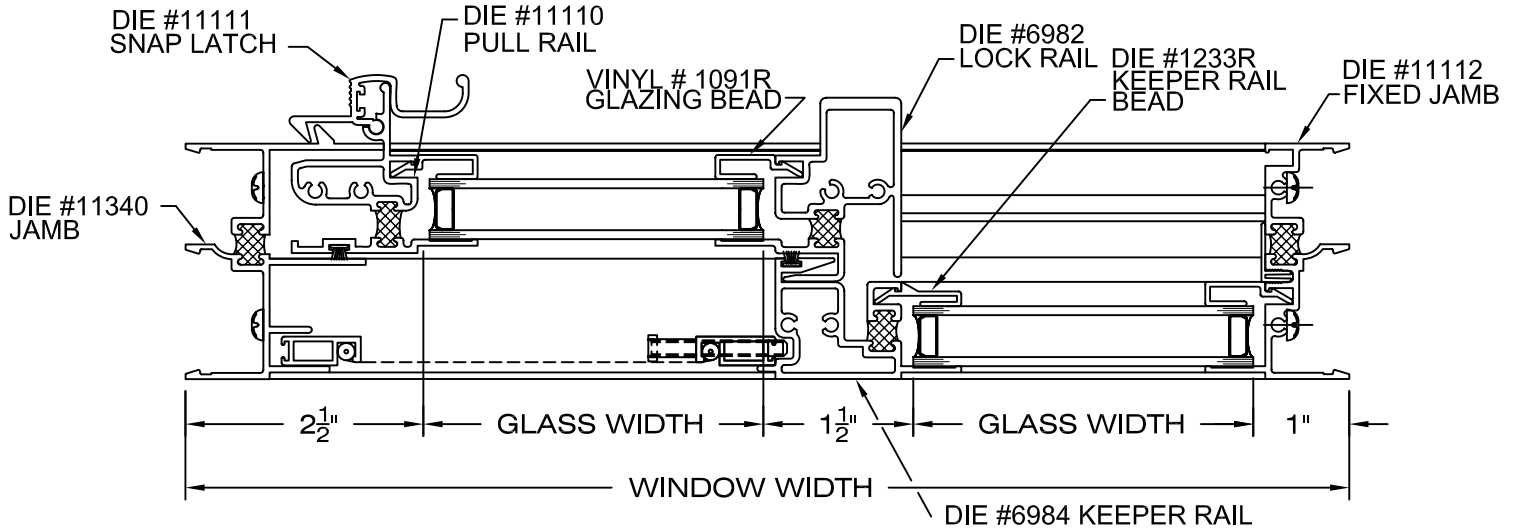
Minimum Size is W-36" x H-24"

# SEAL CRAFT

## Architectural Window Systems

Model 4100 HS-C60

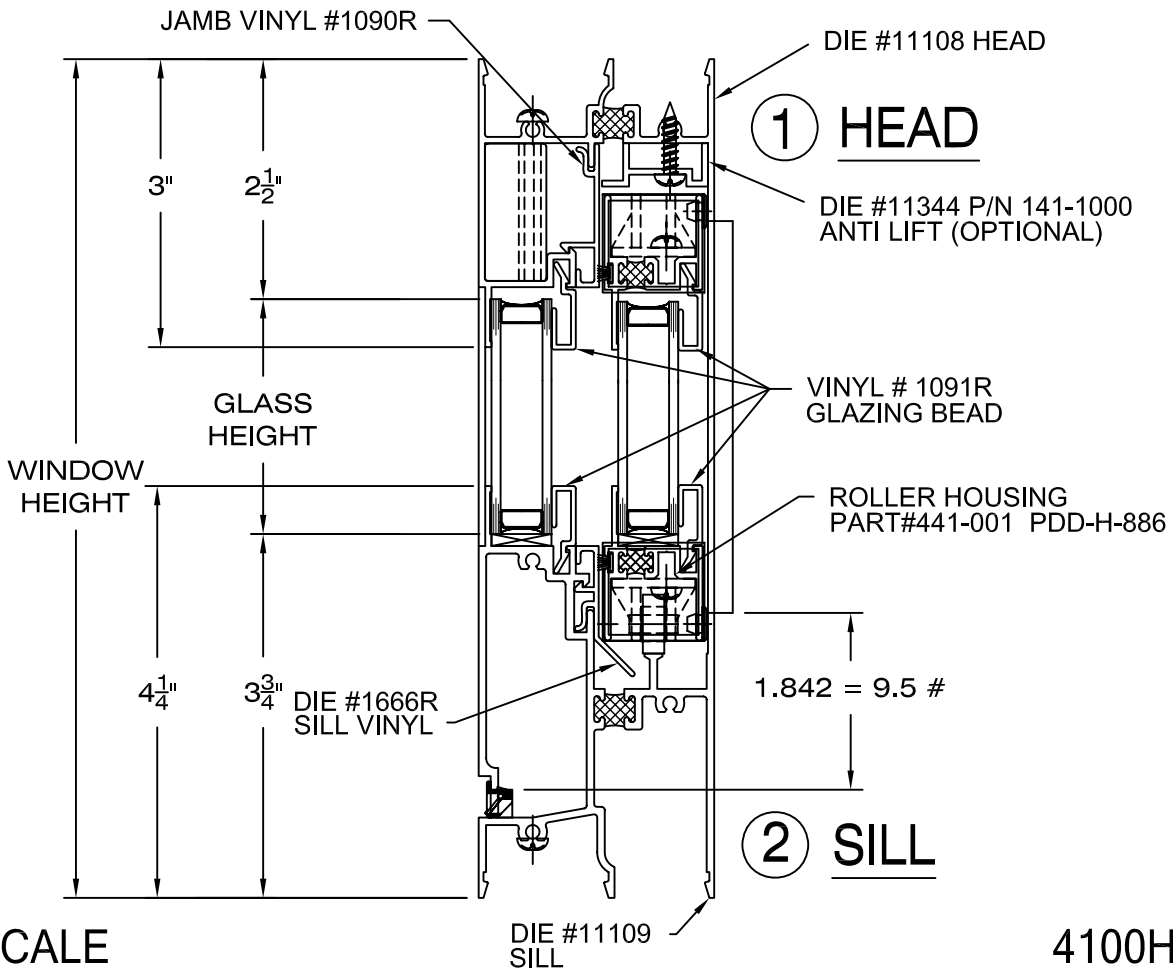
Sectional Views



③ LEFT JAMB

⑤ MTG. RAIL

④ RIGHT JAMB



HALFSCALE

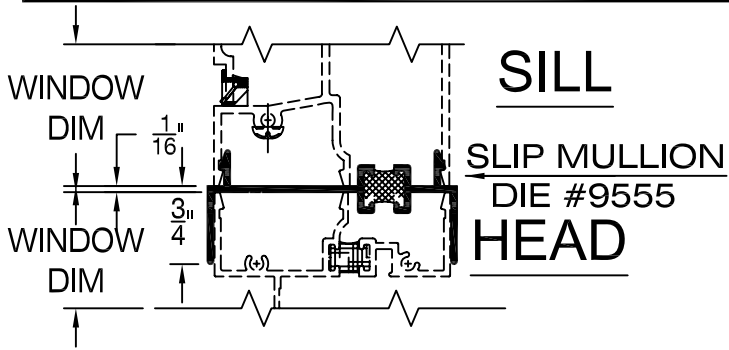
4100HS - Page 2

# SEAL CRAFT

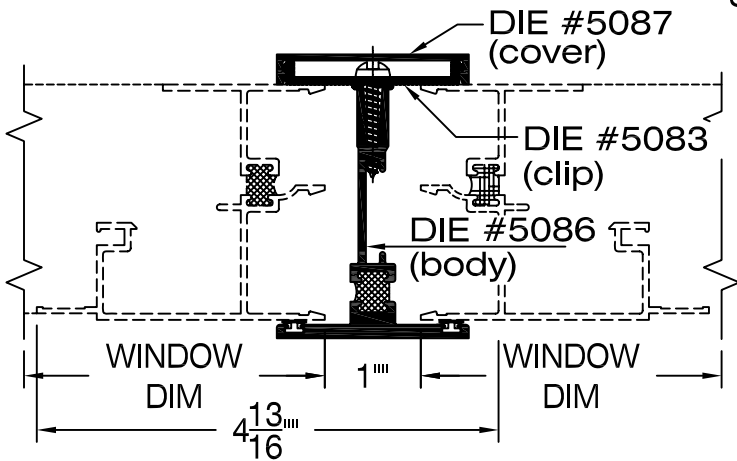
Architectural Window Systems

Model 4100 HS-C60

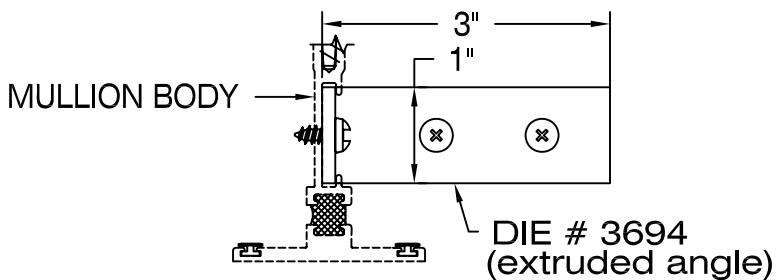
Accessories



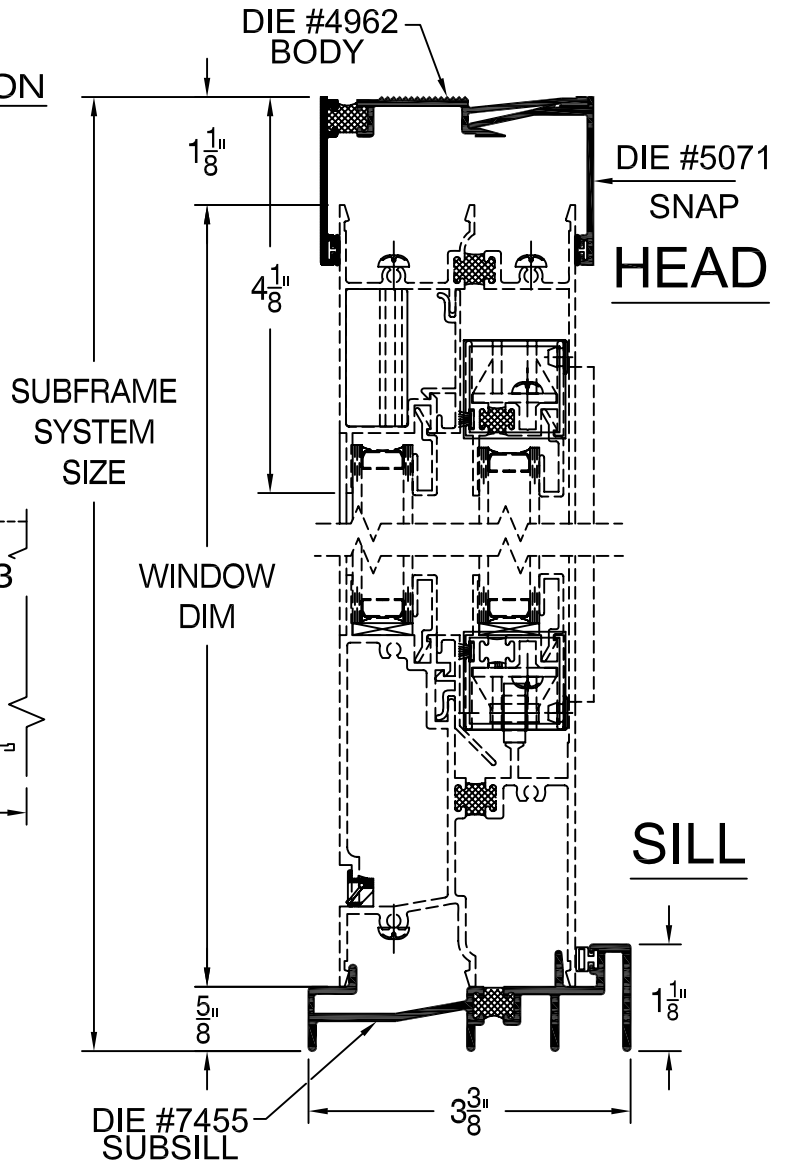
**SLIP MULLION # 9555**



**THREE PIECE STRUCTURAL MULLION**



**OPTIONAL MULL ANCHOR ALUM. ANGLE**



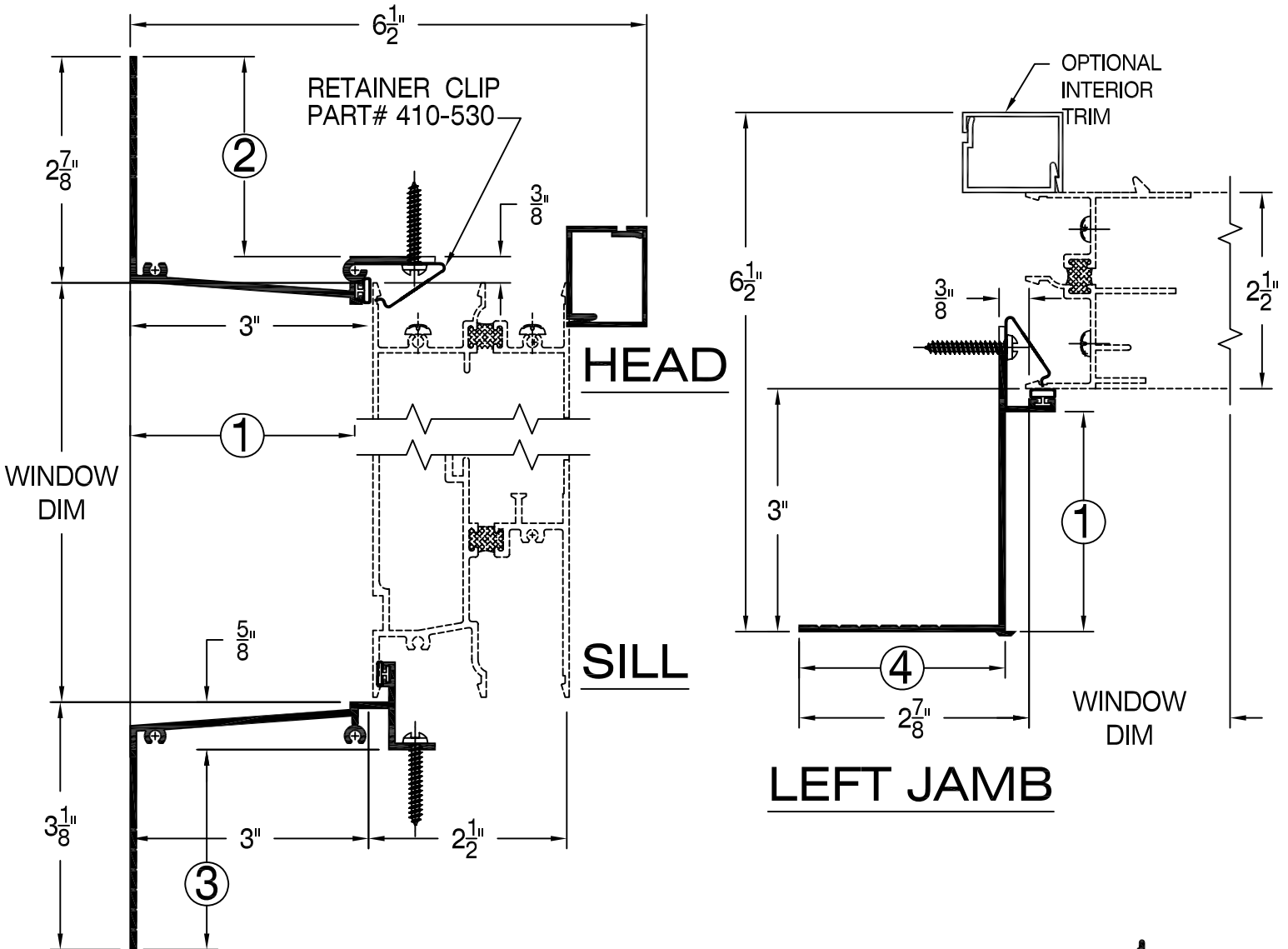
**TWO PIECE RECEPTOR AND SUBSILL**

# SEAL CRAFT

## Architectural Window Systems

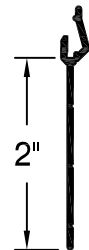
Model 4100 HS-C60

RECEPTOR PAN "C"  
& INTERIOR TRIM



Panning Die #s			
Type	Sill	Head	Jamb
A	9178	9177	9179
B	8513	8511	8512
C	4643	4642	4641
D	N/A	N/A	N/A
E	5821	5820	5819

Panning Sizes				
Dimensions				
Type	①	②	③	④
A	1/4"	1 7/8"	2 1/2"	2"
B	1 3/4"	2 1/2"	2 1/2"	2 1/2"
C	2 3/4"	2 1/2"	2 1/2"	2 1/2"
D	4"	2 1/2"	3 1/2"	3 1/2"
E	3 3/4"	2 1/2"	3 1/2"	2 1/2"



Pan Extender  
DIE #4986